



Breathe Easier...
Breathe Better!

Application

- ✓ Industrial application for small exhaust systems
- ✓ Extraction of contaminated air with laden, dust or dirt
- ✓ Supplying high pressure air for conveying and cooling
- ✓ Can also be used on small kitchen hoods

(some restrictions apply)

Description

The centrifugal blowers series LRD with radial blades are commonly used in the low to medium pressure range from ¼ to 6 inches w.g. and capacities from 300 to 2000 cfm with max room temperature of 70 degrees F.

Capacities

Tested and rated in accordance with codes adopted by AMCA and ASHRAE.

Construction

Housing and base are 16 ga. steel for rigidity and long life. Wheels are radial blades of heavy cast aluminum, dynamically balanced, self cleaning and are designed for efficient operation. Blowers are supplied with backed enamel.

Rotation and Discharge

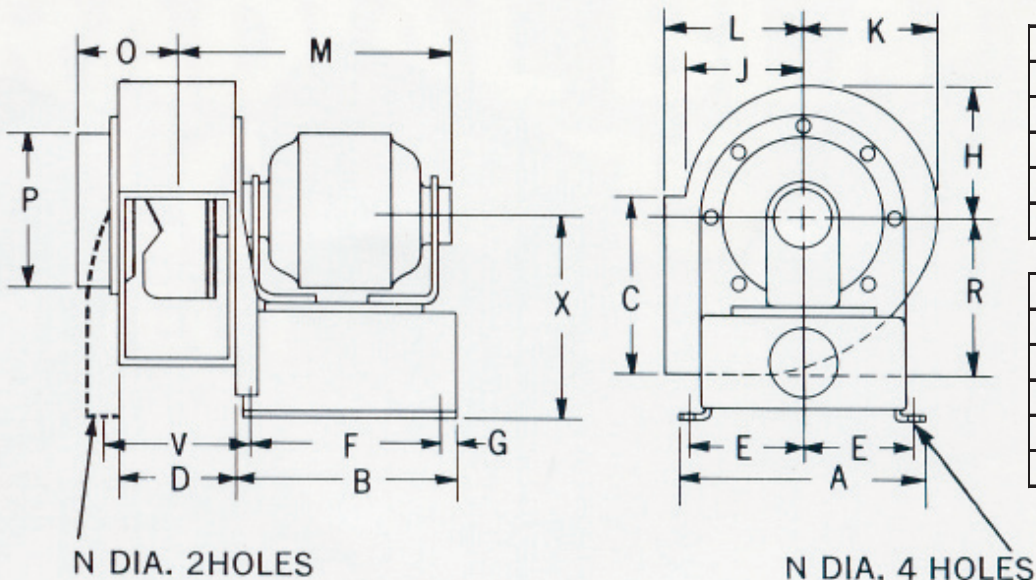
The LRD series may be oriented in any standard clockwise direction. They are normally furnished for clockwise rotation, bottom horizontal discharge.

www.sourcetekindustries.com

The future is clean air ... the future is *Sourcetek*[®]

Sourcetek Pressure Blower LRD Series

Sourcetec Pressure Blower LRD Series



LRD Blower Dimensions

Blower	Wheel	Bore	A	B	C	D	E	F	G	H	J
LRD-8	7 3/4 x 4	1/2	11	8	8 1/4	5 3/8	5	7	1/2	6	4 5/8
LRD-9	9 x 5	1/2	12 1/8	8	10 3/4	6 1/2	5 5/8	7	1/2	6 3/4	5 5/8
LRD-11	10 7/8 x 5 5/8	5/8	14 3/4	9	11 3/4	8	6 7/8	7 1/2	3/4	8	6 3/4
LRD-12	12 1/2 x 7 1/2	7/8	16 3/8	10 1/2	13 1/4	9 5/8	7 3/8	8 3/4	7/8	10 1/8	8 1/2
LRD-14	13 1/2 x 8 1/8	7/8	17 5/8	10 1/2	14 5/8	10 3/4	8	8 3/4	7/8	11 1/8	9 3/8

Blower	Wheel	Bore	K	L	M	N	O	P	R	V	X
LRD-8	7 3/4 x 2 1/4	1/2	6 3/4	6 7/8	10 3/4	3/8	3 3/4	8	8		
LRD-9	9 x 2 3/4	1/2	7 3/4	7 1/8	11 3/4	3/8	4 5/16	9	9 1/4		
LRD-11	10 5/8 x 3	5/8	9 1/8	8 1/8	13 1/4	3/8	5 1/16	10	10 3/4		
LRD-12	12 1/2 x 3	7/8	11 1/2	10 1/2	15 3/16	9/16	6 3/8	13 1/4	13 1/4	11 1/8	
LRD-14	13 1/2 x 4 3/8	7/8	12 5/8	11 3/8	16 3/4	9/16	7	14 1/2	14 5/8	12 1/4	17

LRD Blower Performance

Model #	Motor HP	Blower RPM	F.A.	1/8" S.P.	1/4" S.P.	3/8" S.P.	1/2" S.P.	5/8" S.P.	3/4" S.P.	1" S.P.	1 1/4" S.P.	1 1/2" S.P.	1 3/4" S.P.	2" S.P.	2 1/4" S.P.
LRD-8	1/3	1750	550	510	470	425	365	275	150						
LRD-9	1/3	1750	880	825	765	705	635	565	480	200					
LRD-11	1/2	1750	1430	1380	1335	1275	1225	1165	1100	945	730	430			
LRD-12	1.0	1750	2375	2300	2220	2140	2060	1975	1890	1700	1485	1185	750	350	
LRD-14	2.0	1750	3420	3325	3230	3125	3025	2925	2820	2595	2350	2045	1620	1010	640

Options



The future is clean air ... the future is Sourcetec®

SOURCETEC INDUSTRIES INC.

Ontario, Canada - Ohio, USA

Tel: (905) 678-9333 Fax: (905) 678-7133

1-800-784-2383

www.sourcetecindustries.com

E-mail: sales@sourcetecindustries.com